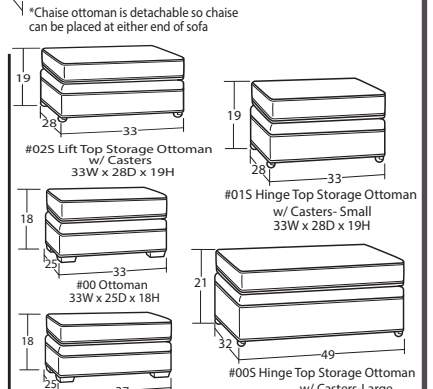
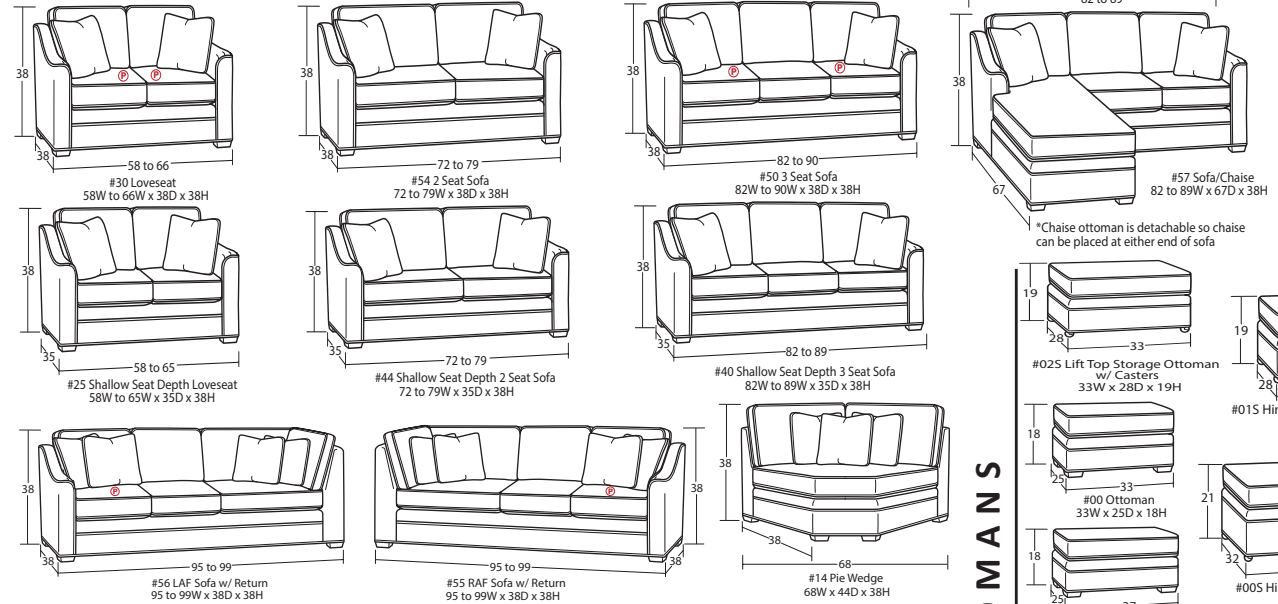


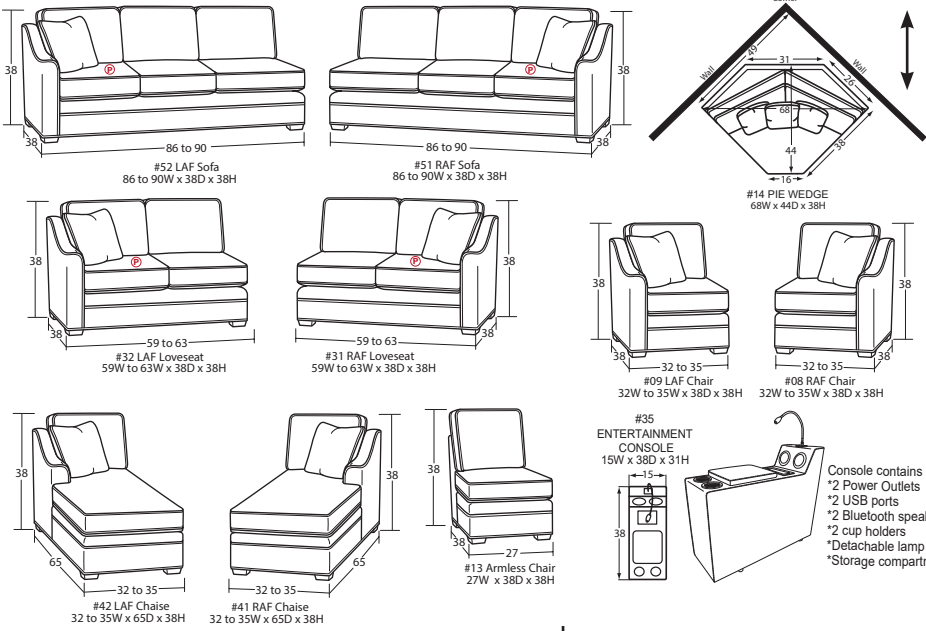


Designing a room full of furniture has never been so easy.  
39 pieces to choose from – endless possibilities!

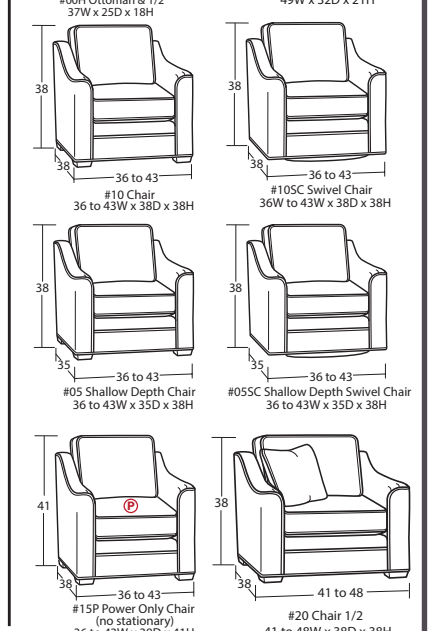
SOFAS & LOVESEATS



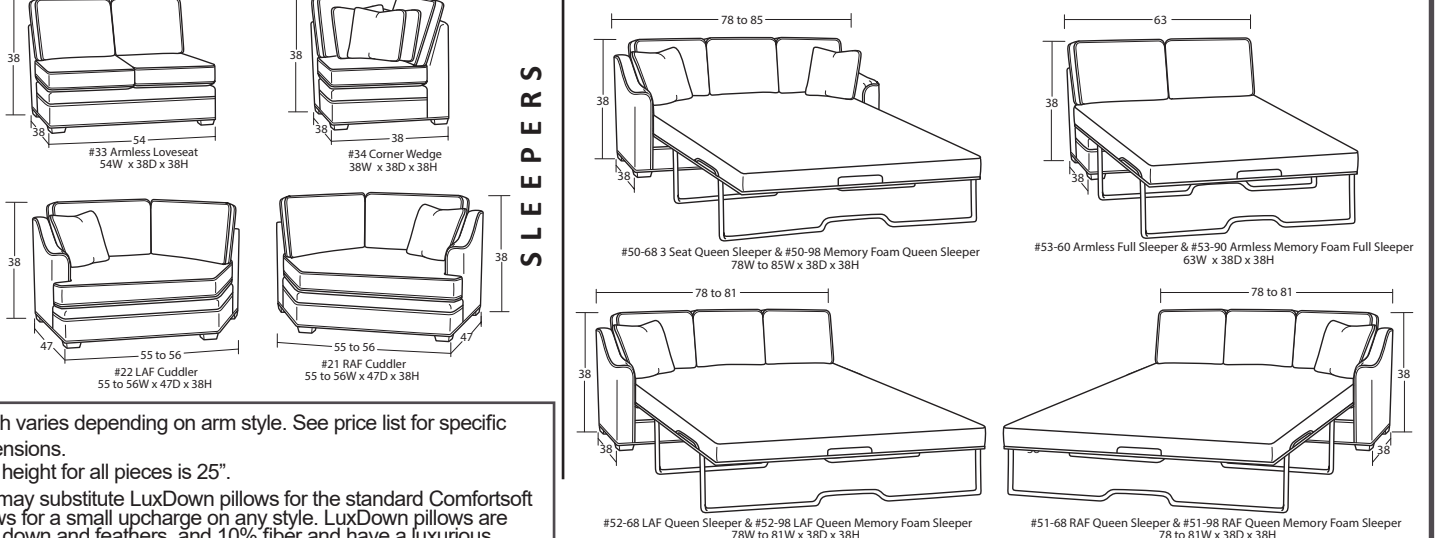
SECTIONAL PIECES



CHAIRS & OTTOMANS

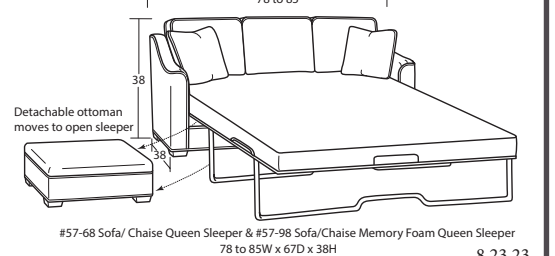


SLEEPERS



- Width varies depending on arm style. See price list for specific dimensions.
- Arm height for all pieces is 25".
- You may substitute LuxDown pillows for the standard Comfortsoft pillows for a small upcharge on any style. LuxDown pillows are 90% down and feathers, and 10% fiber and have a luxurious, heavier weight.

- P - Indicates that this piece is available with a power motion recliner on the seat next to the arm.
- Sofa & Loveseat have two recliners, one next to each arm. All others have one.
- To order this piece with the power option simply add a P to the end of the style number.
- All styles with power must have semi-attached backs. No loose backs.
- Power pieces require a 3" wall clearance.
- Note: Not all pieces are available with power option.
- If you are ordering any power motion piece, and that room has high-pile carpeting or rugs, you may choose to order the TALL LEG option (no charge), which gives an extra inch of clearance for the reclining mechanism to open. This option should be added to every F9 or L9 piece that will go into the same room, including all sectional pieces and stationary pieces, so that all legs will match. This option will add one inch to the overall height, seat height, and arm height.



# Designing a room full of furniture has never been so easy!

## Sample Configurations

(Applicable for both power and non-power pieces)

